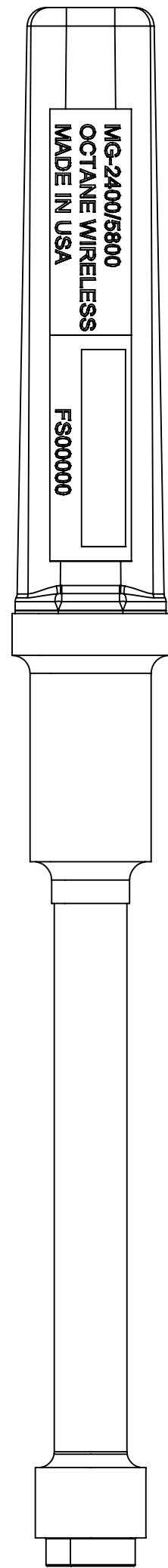


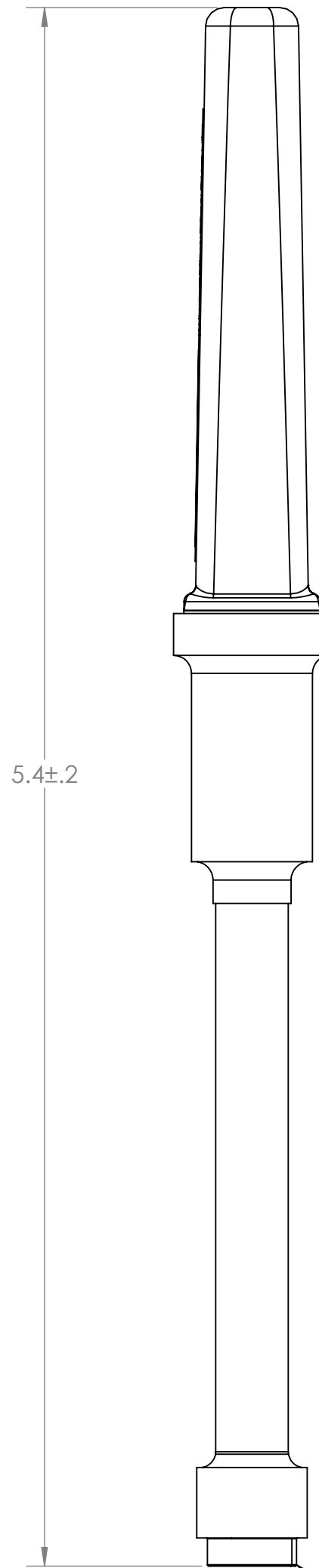
NOTES:

1. OCTANE P/N: 103002
2. TRACEABILITY: OCTANE S/N
3. ALL DIMENSIONS IN PARENTHESES ( ) ARE REFERENCE ONLY.
6. PART MARKING: OCTANE MODEL NUMBER LABEL
5. FREQUENCY RANGE: 2400/5800 MHz
6. WEIGHT: 0.5 OZ

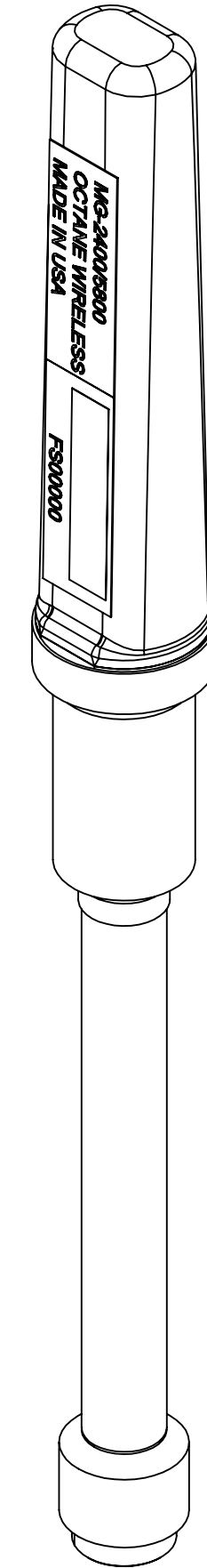
REVISIONS				
ZONE	REV.	DESCRIPTION	DATE	APPROVED
N/A	A	DWG RELEASE	7/12/2019	BZG
N/A	B	DWG UPDATE	7/28/2021	CLQ



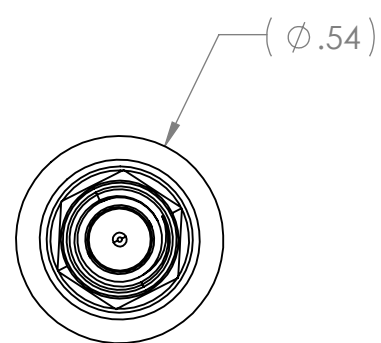
FRONT VIEW



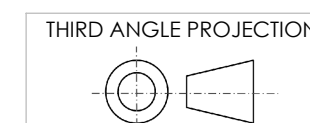
RIGHT VIEW — SMA CONNECTOR, MALE



ISO VIEW



BOTTOM VIEW



THIRD ANGLE PROJECTION

PROPRIETARY AND CONFIDENTIAL  
THE INFORMATION CONTAINED IN THIS DRAWING IS THE SOLE PROPERTY OF OCTANE WIRELESS. ANY REPRODUCTION IN PART OR AS A WHOLE WITHOUT THE WRITTEN PERMISSION OF OCTANE WIRELESS IS PROHIBITED.

UNLESS OTHERWISE SPECIFIED:	NAME	DATE	OCTANE WIRELESS 1340 CHARWOOD ROAD, SUITE L HANOVER, MD 21076
DIMENSIONS ARE IN INCHES	DRAWN	BZG 07/12/19	
TOLERANCES: TWO PLACE DECIMAL ±.010 THREE PLACE DECIMAL ±.005 ANGULAR ±1°	CHECKED	CLQ 07/28/21	
MATERIAL	ENG APPR.	DN 07/12/19	
SEE NOTES	MFG APPR.	AF 07/12/19	COMMENTS:
FINISH	TITLE: ASSEMBLY, MINI-GOOSENECK ANTENNA, 2400/5800 MHz, SMA MALE CONNECTOR		
DO NOT SCALE DRAWING	SIZE	DWG. NO.	REV
	<b>C</b>	MG-2400/5800	<b>B</b>
	SHEET SCALE 2:1		SHEET 1 OF 1