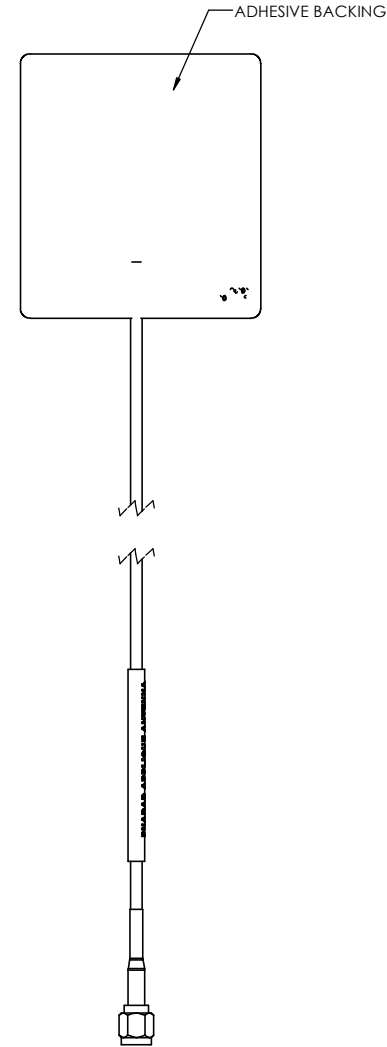
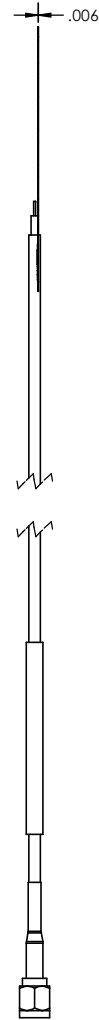
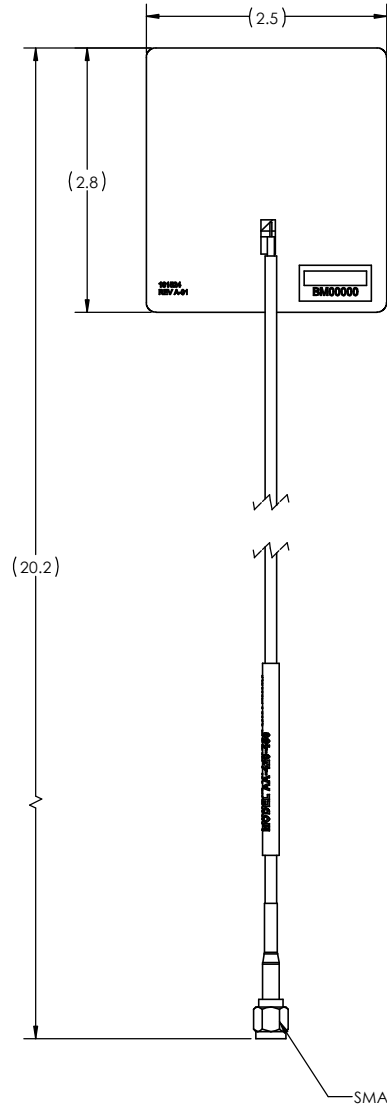


NOTES:

1. PHARAD PART NUMBER: 101954
2. TRACEABILITY: PHARAD S/N
3. PART MARKING: PHARAD MODEL NUMBER
4. FREQUENCY OF OPERATION: 420-450 MHz
5. WEIGHT: <1OZ

REVISIONS				
ZONE	REV.	DESCRIPTION	DATE	APPROVED
N/A	A-01	ENG RELEASE	4/3/2013	HJJ



PROPRIETARY AND CONFIDENTIAL
 THE INFORMATION CONTAINED IN THIS DRAWING IS THE SOLE PROPERTY OF PHARAD, LLC. ANY REPRODUCTION IN PART OR AS A WHOLE WITHOUT THE WRITTEN PERMISSION OF PHARAD, LLC IS PROHIBITED.

UNLESS OTHERWISE SPECIFIED:		NAME	DATE
DIMENSIONS ARE IN INCHES		HJJ	3/19/2013
TOLERANCES:		CHECKED	DATE
TWO PLACE DECIMAL ±.010		DG	3/19/2013
THREE PLACE DECIMAL ±.005		ENG APPR.	DN
ANGULAR ±1°		MFG APPR.	AF
			3/19/2013
MATERIAL:		COMMENTS:	
SEE NOTES			
FINISH:			
SEE NOTES			
DO NOT SCALE DRAWING			

PHARAD, LLC 1340 CHARWOOD ROAD, SUITE L HANNOVER, MD 21076		
TITLE: APPLIQUE ANTENNA, 420-450 MHz		
SIZE	DWG. NO.	REV
C	AA-420-450	A-01
SCALE: 1:4		SHEET 1 OF 1