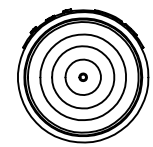


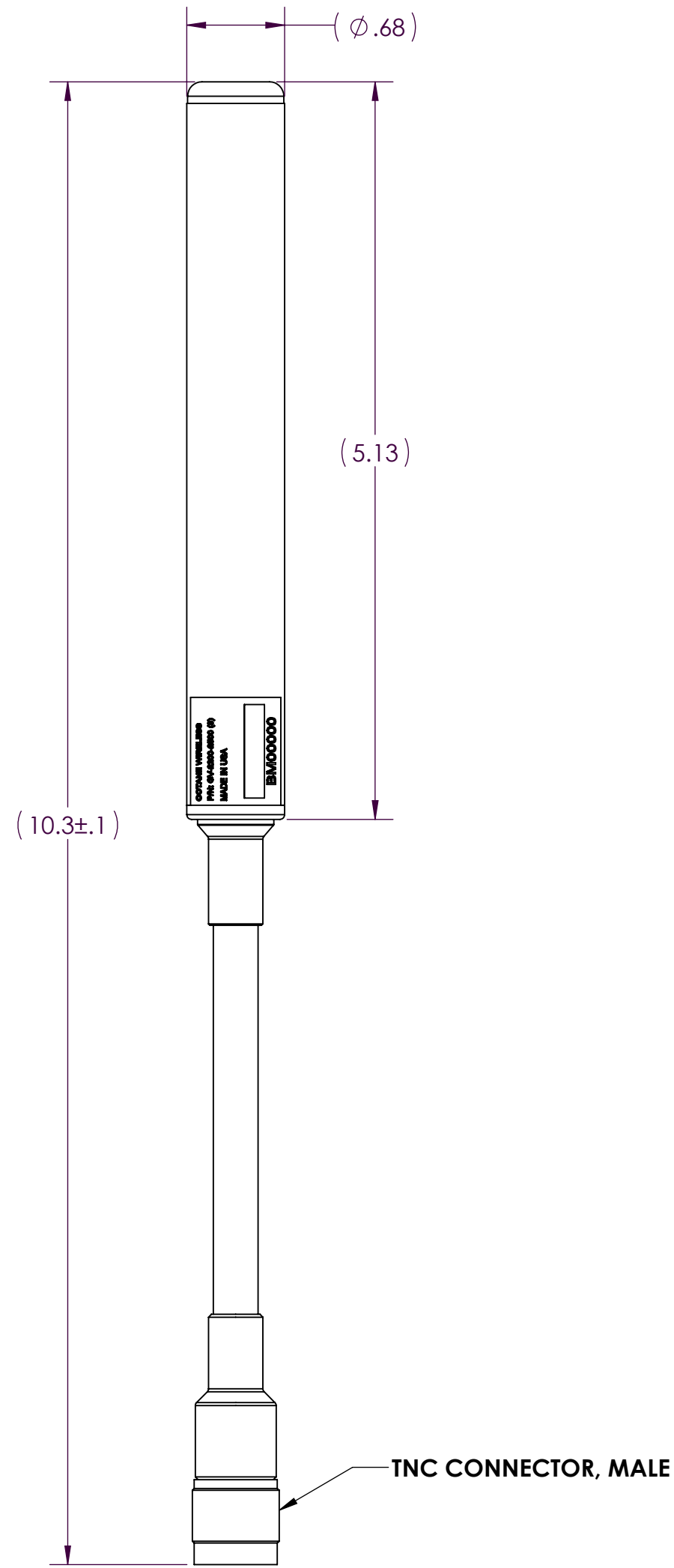
NOTES:

1. OCTANE P/N: 103988
2. TRACEABILITY: OCTANE S/N
3. ALL DIMENSIONS IN PARENTHESES () ARE REFERENCE ONLY.
6. PART MARKING: OCTANE MODEL NUMBER LABEL
5. FREQUENCY RANGE: 2200-2500 MHz
6. WEIGHT: 2.9 OZ

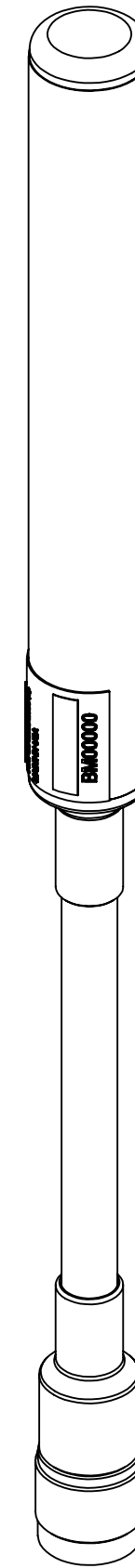
REVISIONS				
ZONE	REV.	DESCRIPTION	DATE	APPROVED
N/A	A	INITIAL RELEASE	07/09/24	DJD



BOTTOM VIEW



FRONT VIEW



ISO VIEW

THIRD ANGLE PROJECTION

PROPRIETARY AND CONFIDENTIAL
THE INFORMATION CONTAINED IN THIS DRAWING IS THE SOLE PROPERTY OF OCTANE WIRELESS. ANY REPRODUCTION IN PART OR AS A WHOLE WITHOUT THE WRITTEN PERMISSION OF OCTANE WIRELESS IS PROHIBITED.

UNLESS OTHERWISE SPECIFIED: DIMENSIONS ARE IN INCHES	NAME	DATE	OCTANE WIRELESS 1340 CHARWOOD ROAD, SUITE L HANOVER, MD 21076
TOLERANCES: TWO PLACE DECIMAL ±.010 THREE PLACE DECIMAL ±.005 ANGULAR ±1°	DRAWN	DJD 07/09/24	
MATERIAL	CHECKED	CLQ 07/09/24	
FINISH	ENG APPR.	DN 07/09/24	
DO NOT SCALE DRAWING	MFG APPR.	AF 07/09/24	
SEE NOTES	COMMENTS:		TITLE: ASSEMBLY, GOOSENECK ANTENNA, 2200-2500 MHz, VP, 3 dBi, TNC MALE CONNECTOR

SIZE	DWG. NO.	REV
C	GV-2200-2500(3)	A
SHEET SCALE 1:1		SHEET 1 OF 1