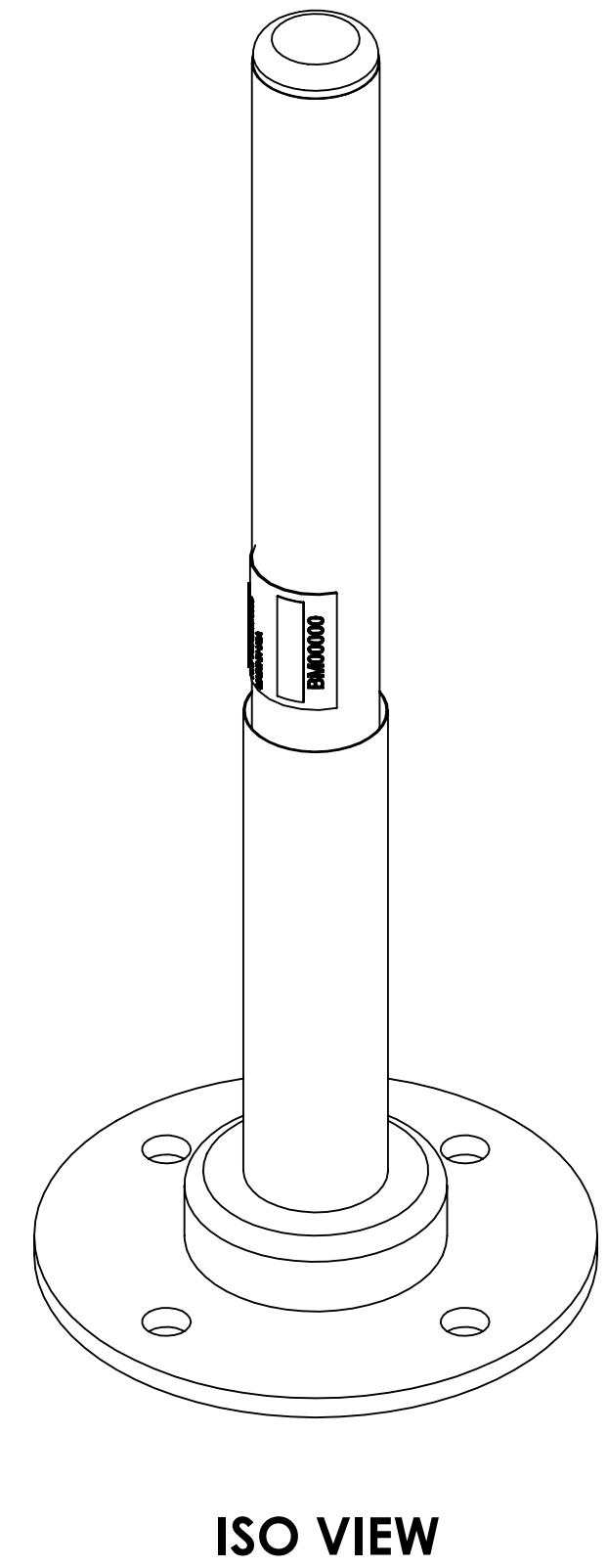
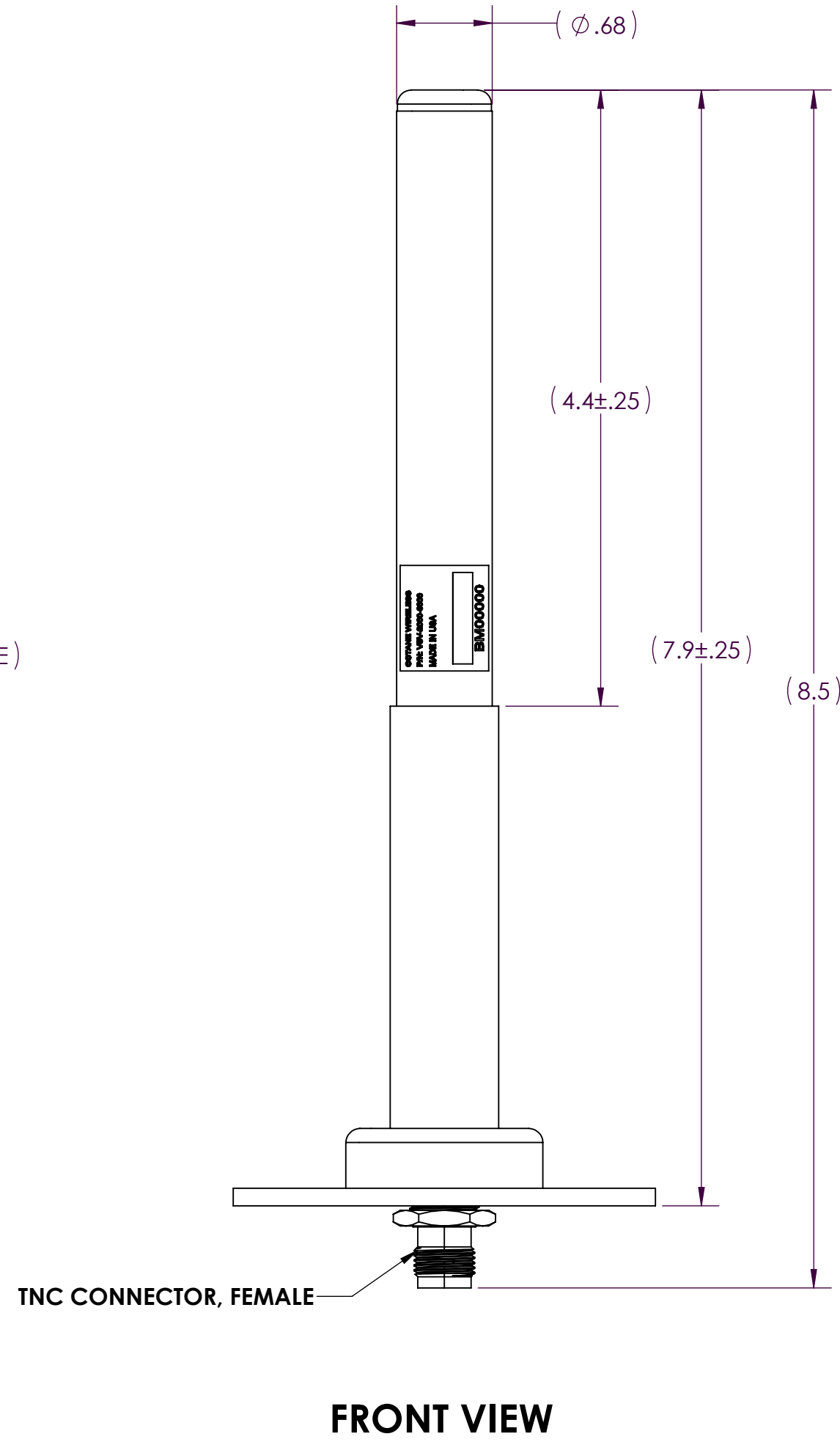
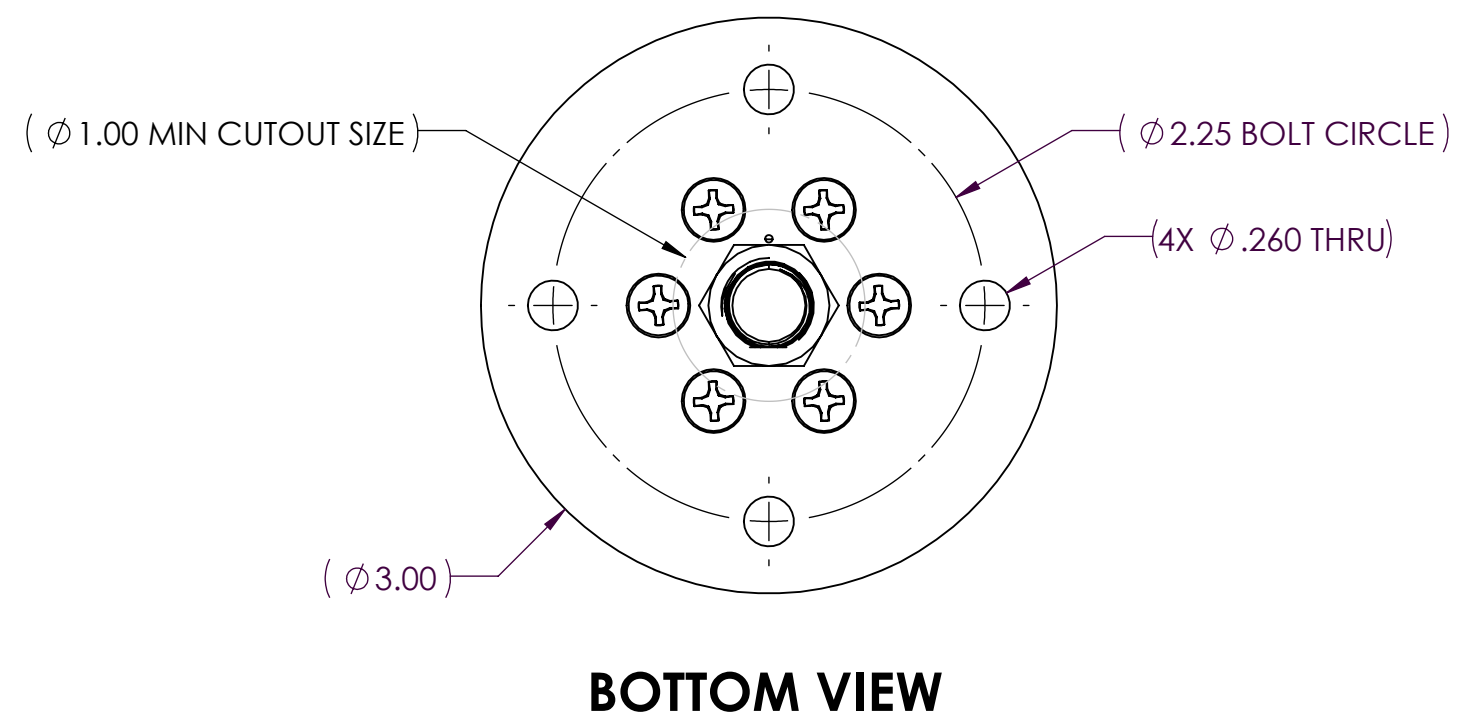


NOTES:

1. OCTANE P/N: 103953
2. TRACEABILITY: OCTANE S/N
3. ALL DIMENSIONS IN PARENTHESES ( ) ARE REFERENCE ONLY.
6. PART MARKING: OCTANE MODEL NUMBER LABEL
5. FREQUENCY RANGE: 2000-6000 MHz
6. WEIGHT: 10.5 OZ

REVISIONS				
ZONE	REV.	DESCRIPTION	DATE	APPROVED
N/A	A	INITIAL RELEASE	03/12/25	DJD



THIRD ANGLE PROJECTION

PROPRIETARY AND CONFIDENTIAL  
THE INFORMATION CONTAINED IN THIS DRAWING IS THE SOLE PROPERTY OF OCTANE WIRELESS. ANY REPRODUCTION IN PART OR AS A WHOLE WITHOUT THE WRITTEN PERMISSION OF OCTANE WIRELESS IS PROHIBITED.

UNLESS OTHERWISE SPECIFIED:	NAME	DATE
DIMENSIONS ARE IN INCHES	DRAWN DJD	03/12/25
TOLERANCES:	CHECKED AR	03/12/25
TWO PLACE DECIMAL $\pm$ .010	ENG APPR. DN	03/12/25
THREE PLACE DECIMAL $\pm$ .005	MFG APPR. AF	03/12/25
ANGULAR $\pm$ 1°	COMMENTS:	
MATERIAL		
SEE NOTES		
FINISH		
SEE NOTES		
DO NOT SCALE DRAWING		

OCTANE WIRELESS 1340 CHARWOOD ROAD, SUITE L HANOVER, MD 21076		
TITLE: ASSEMBLY, VEHICLE MOUNT SPRING ANTENNA, 2000-6000 MHz, VP, TNC FEMALE CONNECTOR		
SIZE	DWG. NO.	REV
<b>C</b>	VSV-2000-6000	<b>A</b>
SHEET SCALE 1:1		SHEET 1 OF 1